

SPECIFICATION SHEET

REV 2.0 | JUNE 2021



IONIC[®] PURIFICATION SYSTEM



Operating Environment

Temperature	15 to 25°C
Humidity	30 to 70% relative humidity, non-condensing

Dimensions and Weight (includes leveling platform)

Height	42.4 cm / 16.7 in
Width	41.9 cm / 16.5 in
Depth	48.9 cm / 19.3 in
Weight	24.5 kg / 54 lb

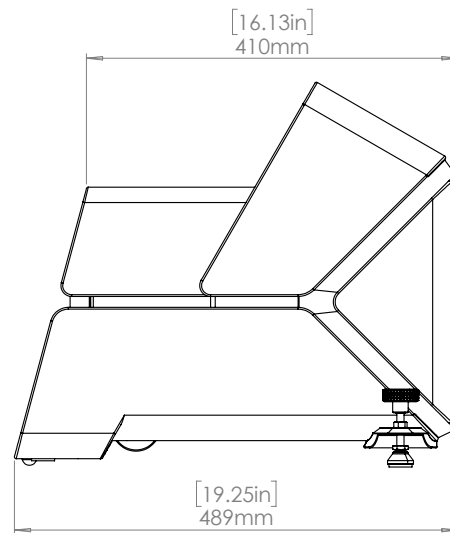
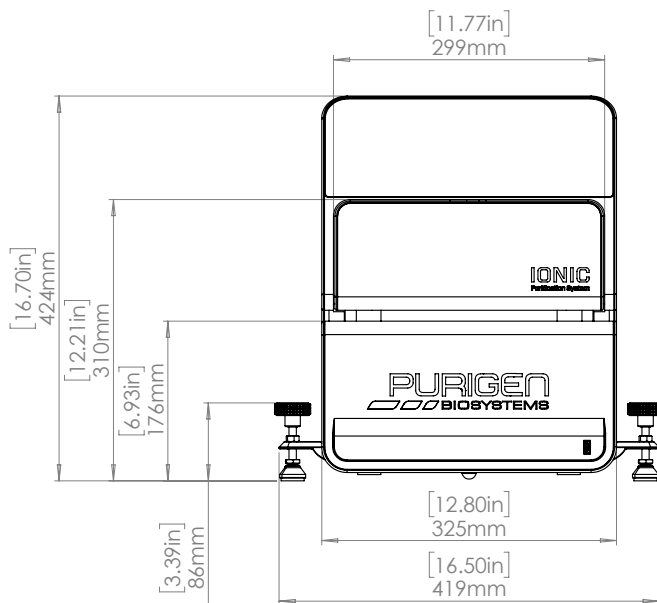
Facility Requirements

Power	North America / UL	Europe / CE
	120 VAC 60 Hz, 2.5 A	230 V~50 Hz, 1.0 A

Power consumption	300 watts
--------------------------	-----------

Regulatory Compliance

Compliance	North America / UL	Europe / CE
	<ul style="list-style-type: none"> 61010 CFR title 47, sub part B of part 15 / ICES-003, Issue 6 	<ul style="list-style-type: none"> EN61010-1:2010 EN 61326-1:2013 WEEE Directive 76/769/EC



PURIGEN BIOSYSTEMS, INC.

5700 Stoneridge Drive, Suite 100
Pleasanton, CA 94588
USA

TEL: +1 877 PURIGEN (787-4436)

SALES

EMAIL: sales@purigenbio.com

SUPPORT

EMAIL: support@purigenbio.com

TEL: +1 877 PURIGEN (787-4436)

FOR RESEARCH USE ONLY. Not for use in diagnostic procedures.

© 2021 Purigen Biosystems Inc. All rights reserved.

The Purigen logo, "Nucleic Acid Purification - Pure and Simple," and Ionic are registered trademarks of Purigen Biosystems, Inc., in the U.S.

PURIGEN[®]
BIOSYSTEMS

PUR-DOC-12